

(TRAPEZOIDAL GALVANIZED GRATE)

STANDARD SIZES	GAGE	DIA OF PIPE
	12"	15"
	16"	X
	14"	X

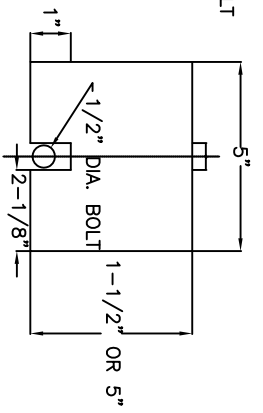
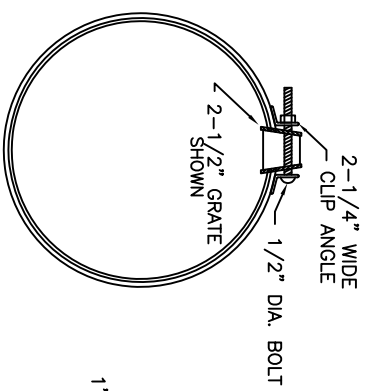
GRATE TYPE	"A"
TRAP	2-1/2" 2-1/4"
TRAP	6" 3"

TRAP=TRAPEZOIDAL

- SLOTTED DRAIN NOTES**
1. GRATING IS AVAILABLE IN DEPTHS OF 2-1/2" AND 6".
 2. FOR 6" TRAPEZOIDAL REQUIREMENTS, THE SLOTTED DRAIN BAND MAY BE FURNISHED WITH THE BAND ANGLE.
 3. DIMENSIONS ARE SUBJECT TO MANUFACTURING TOLERANCES.

- MANUFACTURING TOLERANCES**
1. VERTICAL BOW ± 3/8"
 2. HORIZONTAL BOW ± 5/8"
 3. TWIST ± 1/2"

GAP PLATE (OPTIONAL) MAY BE PLACED DIRECTLY OVER BAND BOLT TO PROVIDE CONTINUOUS FORM FOR GROUTING.



MARK	DATE	DESCRIPTION	BY

SLOTTED DRAIN DETAIL

TRAPEZOIDAL GRATE

SCALE: NTS

DRAWN BY: WMS

DATE: 02/24/2010

REV. BY:

DATE:

SHEET: 1 of 1

ST REGIS

CULVERT INC.

202 Morrell St.
Charlotte, MI 48813